

# LT8631SX --- Product Brief

## 3:1 HDMI/DVI Switch

### Features

- 3 inputs, 1 output HDMI/DVI links
- HDMI 1.4/DVI 1.0 compliant
- Supports data rates up to 3.4Gbps
- Supports deep color
- RX side ODTs and management circuitry
- Integrated HPD switch, DDC switch, and +5V Power indicator switch, greatly lowering the cost and simplifying the manufacturing process
- Source/Sink connection detection for flexible system management
- I2C control supported
- Low added jitter
- Single 3.3V power supply
- 5V-tolerant DDC interfaces
- HPD, DDC, data/clock channels ESD protection level meets class 3A according to JESD22-A114-B.

### Description

The LT8631SX is 3-Port HDMI/DVI switch that enable the connection of multiple HDMI/DVI source devices to high-definition television (HDTV). Based on ClearedEdge™ technology, it is compliant with the HDMI 1.4/DVI 1.0 specifications. LT8631SX is an advanced high-speed switch that delivers a cost-effective method for manufacturers to add additional HDMI/DVI ports to their HDTV. Multiple HDMI/DVI ports allow consumers to connect variety HDMI/DVI sources to their HDTV.

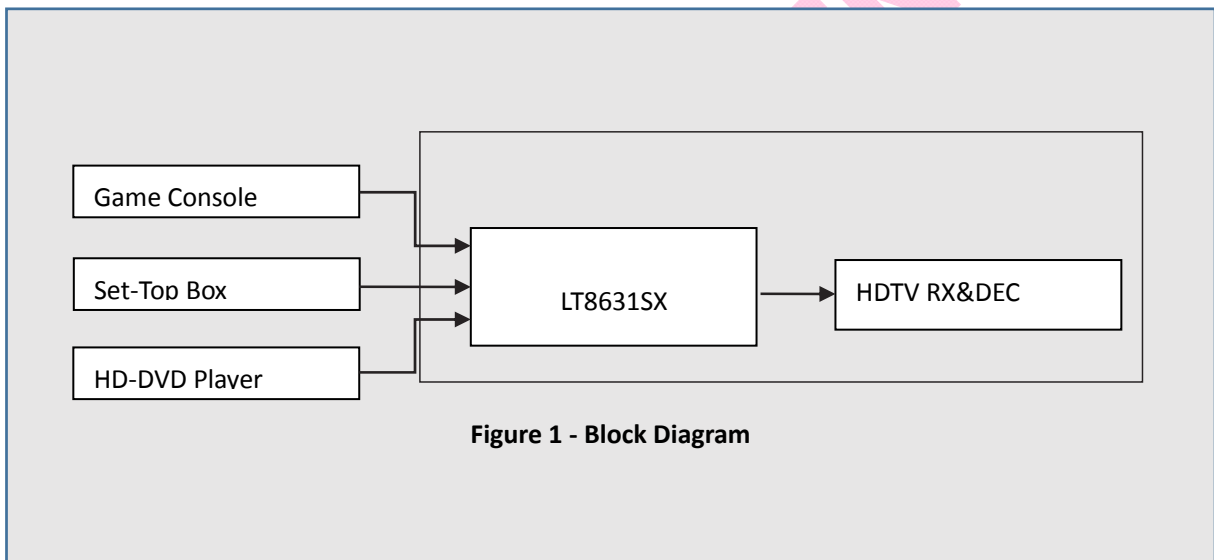
The LT8631SX is a three-to-one (3:1) switch ideally suited for use in the back panel of HDTV and A/V receivers, allowing consumers to connect multiple HDMI/DVI devices such as high-definition DVD players, set top boxes and game consoles. The LT8631SX switch selects a single HDMI/DVI signal from the three receiver ports and generates fully compliant HDMI/DVI audio/video output, as well as DDC and HPD switching in full compliance with the HDMI/DVI specifications.

The chip also integrates RX side on-die-terminations (ODTs), and employs the ODT management circuitry for cost-efficient system design and enhanced performance. The integrated DDC and HPD switches further lower the cost of system manufacture, and simplify the routing on the system board.

## Application

Front panel buffer for advanced television (HDTV) sets  
 Standalone switcher  
 Multiple input displays  
 Projectors  
 A/V receivers

## Block Diagram



## Ordering Information

Part Number	Operating Temperature Range	Package	Packing Method
LT8631SX	-40° C to +85° C	9mm x 9mm QFN64	Tape and Reel

## Lontium Semiconductor Proprietary & Confidential

This document and the information it contains belong to Lontium Semiconductor. Any review, use, dissemination, distribution or copying of this document or its information outside the scope of a signed agreement with Lontium is strictly prohibited.

LONTIUM DISCLAIMS ALL WARRANTIES, EXPRESSED OR IMPLIED, INCLUDING THOSE OF NONINFRINGEMENT, MERCHANTABILITY, TITLE AND FITNESS FOR A PARTICULAR PURPOSE. CUSTOMERS EXPRESSLY ASSUME THEIR OWN RISK IN RELYING ON THIS DOCUMENT. LONTIUM PRODUCTS ARE NOT DESIGNED OR INTENDED FOR USE IN LIFE SUPPORT APPLIANCES, DEVICES OR SYSTEMS WHERE A MALFUNCTION OF A LONTIUM DEVICE COULD RESULT IN A PERSONAL INJURY OR LOSS OF LIFE.

Lontium assumes no responsibility for any errors in this document, and makes no commitment to update the information contained herein. Lontium reserves the right to change or discontinue this document and the products it describes at any time, without notice. Other than as set forth in a separate, signed, written agreement, Lontium grants the user of this document no right, title or interest in the document, the information it contains or the intellectual property it embodies.

### Trademarks

Lontium™ and ClearedEdge™ is a registered trademark of Lontium Semiconductor. All Other brand names, product names, trademarks, and registered trademarks contained herein are the property of their respective owners.

Visit our corporate web page at: [www.lontiumsemi.com](http://www.lontiumsemi.com)

Technical support: [support@lontium.com](mailto:support@lontium.com)

Sales: [sales@lontium.com](mailto:sales@lontium.com)