

# LT8641UX --- Product Brief

## HDMI2.0 4-In 1-Out Switch

### Features

- 4 inputs, 1 output HDMI2.0 links
- HDMI 1.4/2.0 compliant
- Supports data rates up to 6.0Gbps
- TX/RX side ODTs and management circuitry
- Integrated HPD switch, DDC switch, and +5V Power indicator switch, greatly lowering the cost and simplifying the manufacturing process
- Source/Sink connection detection for flexible system management
- I2C control supported
- Single 3.3V power supply
- 5V-tolerant DDC interfaces
- Jitter cleaning PLL for better performance
- DC/AC coupled signal input/output
- No external crystal is needed
- Adaptive equalization
- TX Lane swap for flexible PCB routing

### Description

The Lontium LT8641UX HDMI2.0 Switch features a 4:1 switch compliant to HDMI2.0/1.4 specification, max 6Gbps high speed data rate, adaptive equalization RX input and pre-emphasized TX output to support long cable application, no XTAL and 1.2V power supply on board to save BOM cost, internal TX lane swap for flexible PCB routing .

LT8641UX HDMI2.0 Switch automatically detect the cable loss, and adaptively optimize the equalization setting. The CDR cleans the input data jitter, make it suitable for long cable and cascade application. It support RX termination resistor calibration to further improve signal integrity.

LT8641UX support DDC/SCDC compliant to HDMI2.0/1.4 specification. The integrated DDC and HPD switches further lower the cost of system manufacture, and simplify the routing on the system board.

## Application

Front panel buffer for advanced television (HDTV)

sets

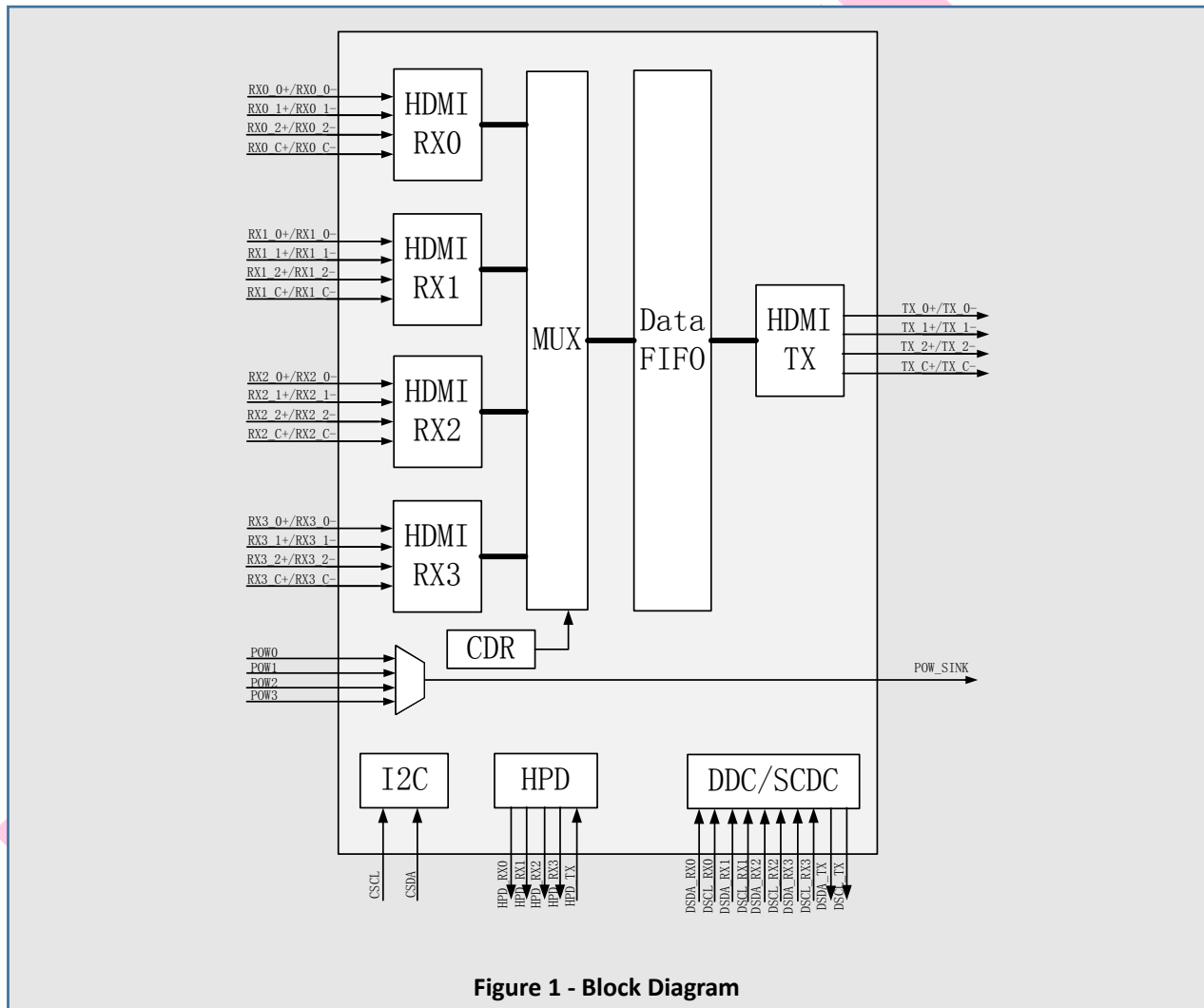
Standalone switcher

Multiple input displays

Projectors

A/V receivers

## Block Diagram



## Ordering Information

Part Number	Operating Temperature Range	Package	Packing Method
LT8641UX	-40° C to +85° C	10mm x 10mm BAG144	Tape and Reel

LONTIUM CONFIDENTIAL

## **Lontium Semiconductor Proprietary & Confidential**

This document and the information it contains belong to Lontium Semiconductor. Any review, use, dissemination, distribution or copying of this document or its information outside the scope of a signed agreement with Lontium is strictly prohibited.

LONTIUM DISCLAIMS ALL WARRANTIES, EXPRESSED OR IMPLIED, INCLUDING THOSE OF NONINFRINGEMENT, MERCHANTABILITY, TITLE AND FITNESS FOR A PARTICULAR PURPOSE. CUSTOMERS EXPRESSLY ASSUME THEIR OWN RISK IN RELYING ON THIS DOCUMENT. LONTIUM PRODUCTS ARE NOT DESIGNED OR INTENDED FOR USE IN LIFE SUPPORT APPLIANCES, DEVICES OR SYSTEMS WHERE A MALFUNCTION OF A LONTIUM DEVICE COULD RESULT IN A PERSONAL INJURY OR LOSS OF LIFE.

Lontium assumes no responsibility for any errors in this document, and makes no commitment to update the information contained herein. Lontium reserves the right to change or discontinue this document and the products it describes at any time, without notice. Other than as set forth in a separate, signed, written agreement, Lontium grants the user of this document no right, title or interest in the document, the information it contains or the intellectual property it embodies.

### **Trademarks**

Lontium™ and ClearedEdge™ is a registered trademark of Lontium Semiconductor. All Other brand names, product names, trademarks, and registered trademarks contained herein are the property of their respective owners.

Visit our corporate web page at: [www.lontiumsemi.com](http://www.lontiumsemi.com)

Technical support: [support@lontium.com](mailto:support@lontium.com)

Sales: [sales@lontium.com](mailto:sales@lontium.com)