

LT8668EX --- Product Brief

LCD Controller

Features

- Direct interface to DVI 1.0 and HDMI V1.4 receiver
- Compliance with DVI up to 1.65Gbps and HDMI V1.4 up to 3.0Gbps
- Support Dual-Mode DP on the same pins with HDMI
- Support MHL on the same pins with HDMI
- Multiple pixel formats: RGB 6/8/10/12 bit per component (bpc); YCbCr 422/444 8/10/12 bpc
- High input sensitivity, with differential input level down to 80mV
- Receiver side equalization up to 12 dB
- Auto Loss of Signal detection
- High jitter tolerance up to 0.7UI
- HDCP decryption
- On-chip VGA/HDMI EDID
- Support resolution up to 4Kx2K@30Hz
- Quad channels LVDS outputs, Support 18/24/48-bit LCD panels
- RGB888/RGB666/RGB565 output
- Programmable digital PWM for backlight control
- Fully programmable scalar ratios and independent horizontal/vertical scaling
- Programmable hue, brightness, saturation and contrast adjustment
- Support Gamma correction and dithering
- Embedded OSD
- Integrated microcontroller for system level management
- Support ISP programming
- External IIC UART and SPI interface

- Support I2S/SPDIF audio input and output
- Audio left and right channel audio PWM outputs
- Extensive power management for power savings
- Support total 16 GPIOs
- Integrated pattern generation
- Integrated nor-flash(option)

Description

The LT8668EX is Lontium's second generation LCD controller that supports both VGA interface and the HDMI interface based on ClearEdge™ technology, compliant with the HDMI 1.4(High Definition Multimedia Interface) specification. It can also support Dual-Mode DP and MHL with HDMI interface. For backward compatibility, this LCD controller also includes a high performance analog interface to work with traditional VGA/YPbPr interface. With quad-LVDS ports it can support quad-LVDS ports monitor with 4Kx2K resolution. And dual-LVDS ports or single-LVDS port for other resolution. For total solution of LCD controller, LT8668EX integrates main functions include position adjustment, programmable scalar, video processor (hue, saturation, brightness and contrast adjustment), OSD, gamma correction, PWM, MCU, total 16 GPIOs and nor-flash(option). For easy implement of a multi-media system, LT8668EX has high quality digital audio input and output interface that support 2-channel audio and spdif audio format.

LT8668EX integrates 4M bits nor-flash inside, and also you can use external nor-flash by SPI interface for compatibility.

Application

HD LCD computer Monitors

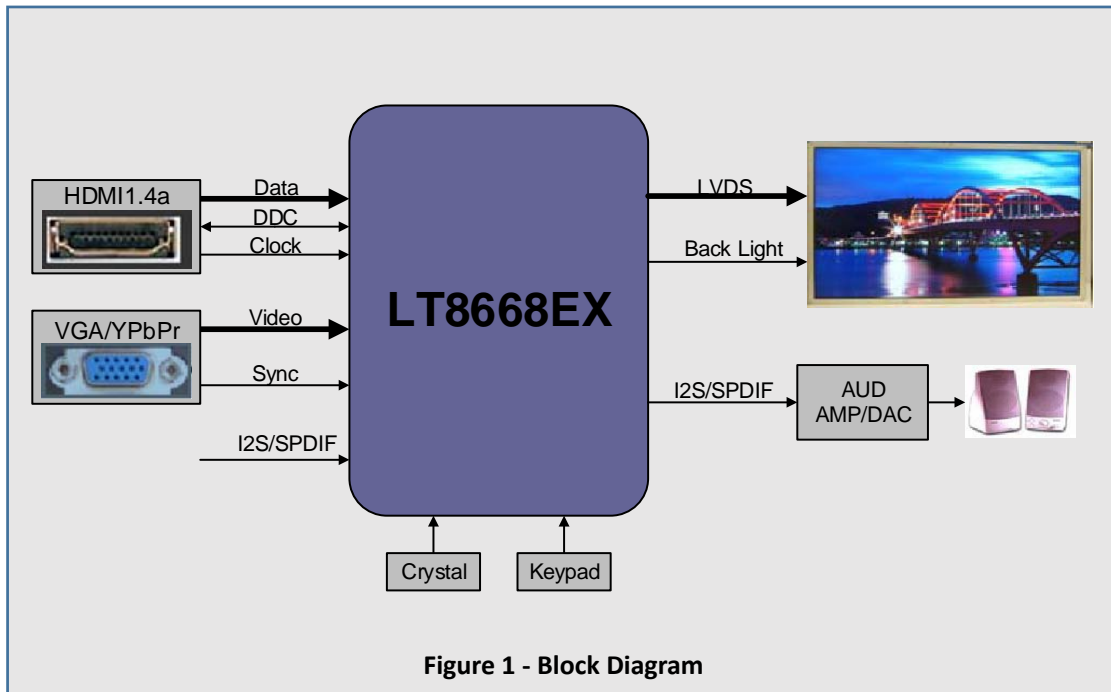
HD LCD Monitors for medical and other applications

Multi-Media process and display control

HDMI/MHL/VGA to LVDS/TTL Interface conversion

LONTIUM CONFIDENTIAL

Block Diagram



Ordering Information

Part Number	Operating Temperature Range	Package	Packing Method
LT8668EX	-10° C to +70° C	LQFP128	Tape and Reel

Lontium Semiconductor Proprietary & Confidential

This document and the information it contains belong to Lontium Semiconductor. Any review, use, dissemination, distribution or copying of this document or its information outside the scope of a signed agreement with Lontium is strictly prohibited.

LONTIUM DISCLAIMS ALL WARRANTIES, EXPRESSED OR IMPLIED, INCLUDING THOSE OF NONINFRINGEMENT, MERCHANTABILITY, TITLE AND FITNESS FOR A PARTICULAR PURPOSE. CUSTOMERS EXPRESSLY ASSUME THEIR OWN RISK IN RELYING ON THIS DOCUMENT. LONTIUM PRODUCTS ARE NOT DESIGNED OR INTENDED FOR USE IN LIFE SUPPORT APPLIANCES, DEVICES OR SYSTEMS WHERE A MALFUNCTION OF A LONTIUM DEVICE COULD RESULT IN A PERSONAL INJURY OR LOSS OF LIFE.

Lontium assumes no responsibility for any errors in this document, and makes no commitment to update the information contained herein. Lontium reserves the right to change or discontinue this document and the products it describes at any time, without notice. Other than as set forth in a separate, signed, written agreement, Lontium grants the user of this document no right, title or interest in the document, the information it contains or the intellectual property it embodies.

Trademarks

Lontium™ and ClearedEdge™ is a registered trademark of Lontium Semiconductor. All Other brand names, product names, trademarks, and registered trademarks contained herein are the property of their respective owners.

Visit our corporate web page at: www.lontiumsemi.com

Technical support: support@lontium.com

Sales: sales@lontium.com