

# LT8712 --- Product Brief

## DP to HDMI/VGA Converter

### Features

- DisplayPort receiver
- Video DAC
- HDMI transmitter
- Digital audio output
- Integrated MCU with embedded SPI flash
- Power supply: 3.3V for I/O and 1.2V for core

### Description

The LT8712 is a DisplayPort(DP) to HDMI and VGA converter, designed to connect a DisplayPort source to a VGA sink and up to two HDMI sinks simultaneously. The LT8712 integrates a DisplayPort 1.2 compliant receiver, a high-speed triple-channel video DAC and two HDMI 1.4 compliant transmitters (transmitter 0 and transmitter 1). The receiver port integrates a CC controller which enables DisplayPort Alternate Mode support when connected to a USB Type-C source. The LT8712 is provided in two package types, LT8712A and LT8712B..

## Application

Docking station      Video hub  
DP-to-HDMI/VGA dongle/adaptor

## Block Diagram

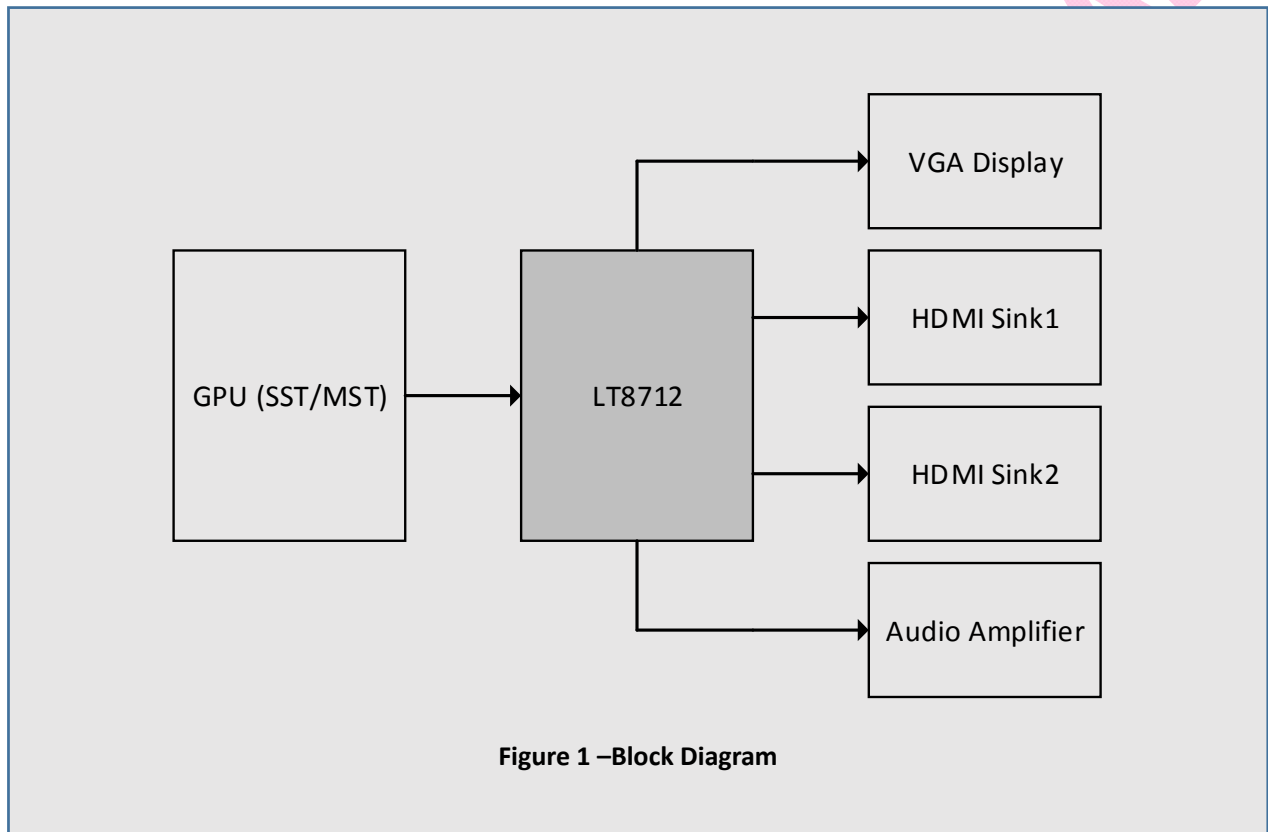


Figure 1 –Block Diagram

## Ordering Information

Part Number	Operating Temperature Range	Package	Packing Method
LT8712A	0° C to +85° C	LQFP128	Tape and Reel

Part Number	Operating Temperature Range	Package	Packing Method
LT8712B	0° C to +85° C	LFPGA144	Tape and Reel

## **Lontium Semiconductor Proprietary & Confidential**

This document and the information it contains belong to Lontium Semiconductor. Any review, use, dissemination, distribution or copying of this document or its information outside the scope of a signed agreement with Lontium is strictly prohibited.

LONTIUM DISCLAIMS ALL WARRANTIES, EXPRESSED OR IMPLIED, INCLUDING THOSE OF NONINFRINGEMENT, MERCHANTABILITY, TITLE AND FITNESS FOR A PARTICULAR PURPOSE. CUSTOMERS EXPRESSLY ASSUME THEIR OWN RISK IN RELYING ON THIS DOCUMENT. LONTIUM PRODUCTS ARE NOT DESIGNED OR INTENDED FOR USE IN LIFE SUPPORT APPLIANCES, DEVICES OR SYSTEMS WHERE A MALFUNCTION OF A LONTIUM DEVICE COULD RESULT IN A PERSONAL INJURY OR LOSS OF LIFE.

Lontium assumes no responsibility for any errors in this document, and makes no commitment to update the information contained herein. Lontium reserves the right to change or discontinue this document and the products it describes at any time, without notice. Other than as set forth in a separate, signed, written agreement, Lontium grants the user of this document no right, title or interest in the document, the information it contains or the intellectual property it embodies.

### **Trademarks**

Lontium™ and ClearedEdge™ is a registered trademark of Lontium Semiconductor. All Other brand names, product names, trademarks, and registered trademarks contained herein are the property of their respective owners.

Visit our corporate web page at: [www.lontiumsemi.com](http://www.lontiumsemi.com)

Technical support: [support@lontium.com](mailto:support@lontium.com)

Sales: [sales@lontium.com](mailto:sales@lontium.com)