

# LT8911B --- Product Brief

## MIPI® DSI Bridge to eDP

### Features

- **Single-Port MIPI® DSI Receiver**
  - Input port configurable between port 1 and 2
  - Compliant with D-PHY1.1 and DSI1.02
  - 1 clock lane and 1~4 configurable data lanes
  - 80Mb/s~1.5Gb/s per data lane
  - Data lane and polarity swapping
  - Internal Rterm calibration w/i less than 5% error
  - 2-bit programmable equalization
  - Only Non-Burst Mode supported
  - Support 18/24/30/36-bit RGB format
- **eDP1.4 Transmitter**
  - Compliant to VESA eDP1.4 standard
  - Support 1/2/4 data lanes with 1.62Gbps (RBR) or 2.7Gbps (HBR).
  - Data lane and polarity swapping
  - Optional SSC 0.5% down-spreading output
  - Configurable and power-on-calibrated output swing for optimized EMI
  - Support PWM Backlight control
  - MCCS over AUX channel
- **Miscellaneous**
  - Single 1.8V supply power
  - Temperature range: -40°C ~ +85°C

Packaged in 9mm x 9mm QFN64

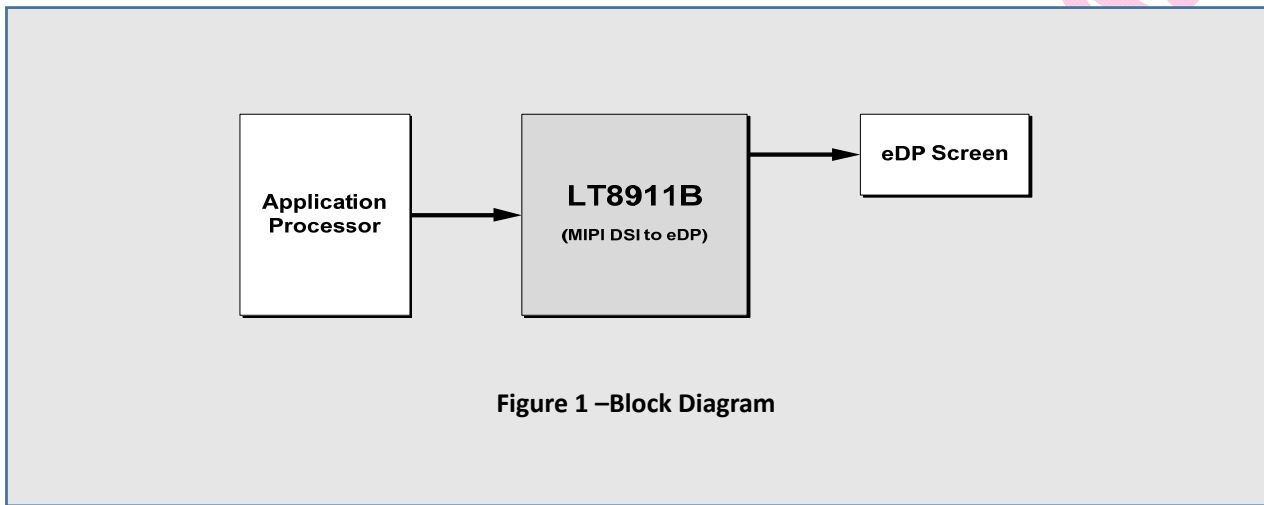
### Description

The Lontium LT8911B MIPI®DSI to eDP converter features a single-port MIPI receiver with 1 clock lane and 4 data lanes operating at maximum 1.5Gbps per data lane; a maximum input bandwidth of 6Gbps. The converter decodes the input MIPI® DSI 18/24/30/36-bit RGB packets and converts the formatted video data stream to a single-link VESA eDP1.4 compliant output with 1/2/4 configurable data lanes, supporting RBR(1.62Gbps) and HBR(2.7Gbps) link speeds. The build-in optional SSC function reduces EMI effect on EMI-concerned system application.

## Application

Mobile systems	Digital still cameras
Cellular Handsets	Personal Media players
Digital video cameras	Gaming

## Block Diagram



## Ordering Information

Part Number	Operating Temperature Range	Package	Packing Method
LT8911B	-40° C to +85° C	6mm x 6mm QFN48	Tape and Reel

## Lontium Semiconductor Proprietary & Confidential

This document and the information it contains belong to Lontium Semiconductor. Any review, use, dissemination, distribution or copying of this document or its information outside the scope of a signed agreement with Lontium is strictly prohibited.

LONTIUM DISCLAIMS ALL WARRANTIES, EXPRESSED OR IMPLIED, INCLUDING THOSE OF NONINFRINGEMENT, MERCHANTABILITY, TITLE AND FITNESS FOR A PARTICULAR PURPOSE. CUSTOMERS EXPRESSLY ASSUME THEIR OWN RISK IN RELYING ON THIS DOCUMENT. LONTIUM PRODUCTS ARE NOT DESIGNED OR INTENDED FOR USE IN LIFE SUPPORT APPLIANCES, DEVICES OR SYSTEMS WHERE A MALFUNCTION OF A LONTIUM DEVICE COULD RESULT IN A PERSONAL INJURY OR LOSS OF LIFE.

Lontium assumes no responsibility for any errors in this document, and makes no commitment to update the information contained herein. Lontium reserves the right to change or discontinue this document and the products it describes at any time, without notice. Other than as set forth in a separate, signed, written agreement, Lontium grants the user of this document no right, title or interest in the document, the information it contains or the intellectual property it embodies.

### Trademarks

Lontium™ and ClearedEdge™ is a registered trademark of Lontium Semiconductor. All Other brand names, product names, trademarks, and registered trademarks contained herein are the property of their respective owners.

Visit our corporate web page at: [www.lontiumsemi.com](http://www.lontiumsemi.com)

Technical support: [support@lontium.com](mailto:support@lontium.com)

Sales: [sales@lontium.com](mailto:sales@lontium.com)