

# LT8819EX --- Product Brief

## MHL/HDMI-BT656/BT1120 Converter

### Features

- Compliant with HDMI1.4, MHL2.0 and HDCP1.4
- HDMI input resolution up to 4Kx2K@30Hz
- MHL input resolution up to 1080P@60Hz
- Supports both 24-Bit Mode and PackedPixel mode with MHL input
- When BT656 output throughput up to 75MHz; when BT1120 output throughput up to 148.5MHz
- When BT656 output, audio output support 8-channel IIS; when BT1120 output, audio output support 2-channel IIS and SPDIF.
- Supports RCP
- Supports CEC
- 9mmx9mm QFN-64L package

### Description

The LT8819EX is a MHL/HDMI to BT656 or BT1120 converter, which converts Mobile High-definition Link (MHL) or High Definition Multimedia Interface (HDMI) data stream to BT656 or BT1120 signals. When BT656 output, It also outputs 8-channel IIS and SPDIF signals which enables high quality 7.1 channel audio. When BT1120 output, It also outputs 2-channel IIS and SPDIF.

Standard MHL technology carries formatted video, audio and control stream with only 3 signal lines and a pair of power and ground. Standard HDMI uses 19 lines to implement data transmission. The LT8819EX uses the latest ClearedEdge Technology to implement the conversion of MHL and HDMI source devices, such as mobile phone, adapter, etc, to BT656/BT1120 devices.

## Application

Mobile systems	Digital still cameras
Cellular Handsets	Personal Media players
Digital video cameras	Gaming

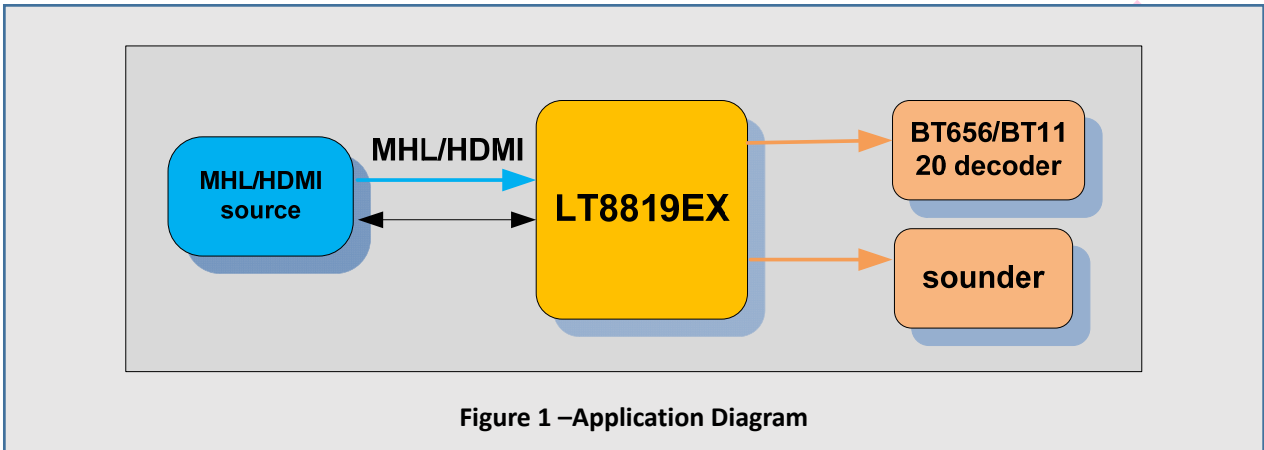


Figure 1 –Application Diagram

## Block Diagram

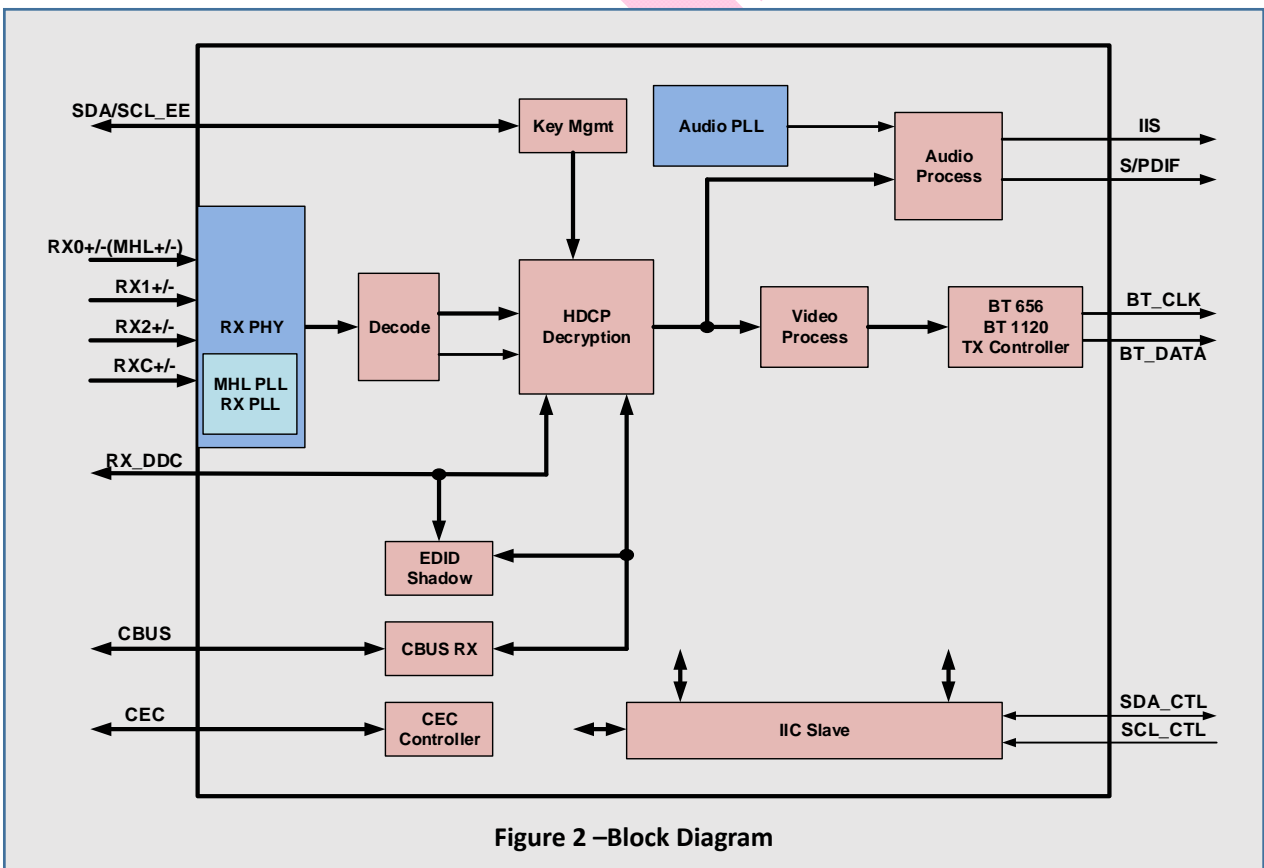


Figure 2 –Block Diagram

## Ordering Information

Part Number	Operating Temperature Range	Package	Packing Method
LT8819EX	-40° C to +85° C	9mm x 9mm QFN64	Tape and Reel

LONTIUM CONFIDENTIAL

## **Lontium Semiconductor Proprietary & Confidential**

This document and the information it contains belong to Lontium Semiconductor. Any review, use, dissemination, distribution or copying of this document or its information outside the scope of a signed agreement with Lontium is strictly prohibited.

LONTIUM DISCLAIMS ALL WARRANTIES, EXPRESSED OR IMPLIED, INCLUDING THOSE OF NONINFRINGEMENT, MERCHANTABILITY, TITLE AND FITNESS FOR A PARTICULAR PURPOSE. CUSTOMERS EXPRESSLY ASSUME THEIR OWN RISK IN RELYING ON THIS DOCUMENT. LONTIUM PRODUCTS ARE NOT DESIGNED OR INTENDED FOR USE IN LIFE SUPPORT APPLIANCES, DEVICES OR SYSTEMS WHERE A MALFUNCTION OF A LONTIUM DEVICE COULD RESULT IN A PERSONAL INJURY OR LOSS OF LIFE.

Lontium assumes no responsibility for any errors in this document, and makes no commitment to update the information contained herein. Lontium reserves the right to change or discontinue this document and the products it describes at any time, without notice. Other than as set forth in a separate, signed, written agreement, Lontium grants the user of this document no right, title or interest in the document, the information it contains or the intellectual property it embodies.

### **Trademarks**

Lontium™ and ClearedEdge™ is a registered trademark of Lontium Semiconductor. All Other brand names, product names, trademarks, and registered trademarks contained herein are the property of their respective owners.

Visit our corporate web page at: [www.lontiumsemi.com](http://www.lontiumsemi.com)

Technical support: [support@lontium.com](mailto:support@lontium.com)

Sales: [sales@lontium.com](mailto:sales@lontium.com)