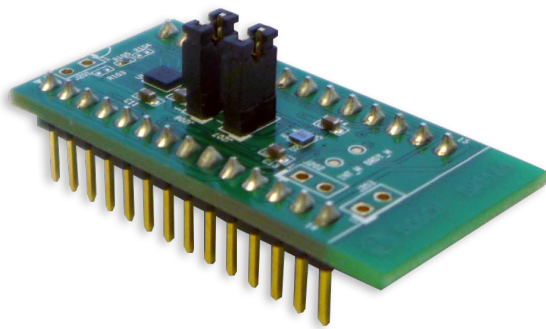


# BMI160 Shuttle Board

Bosch Sensortec



**BOSCH**  
Invented for life

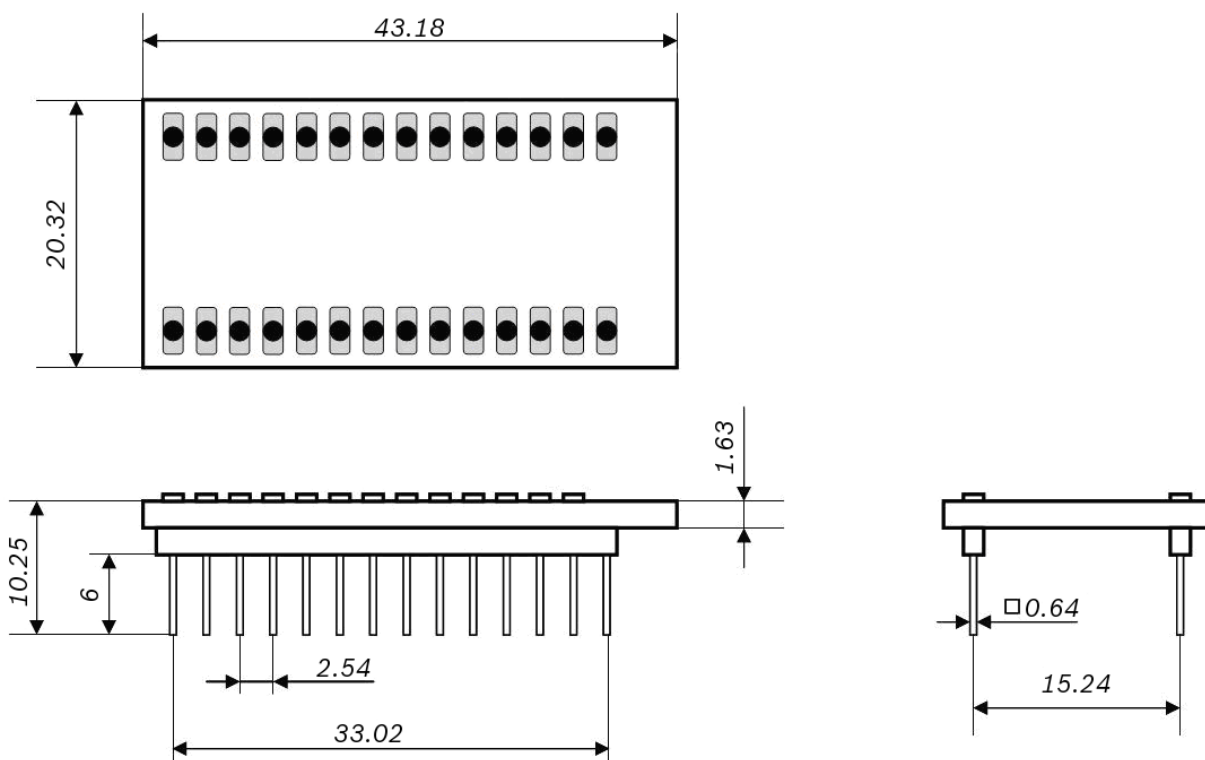


## Description

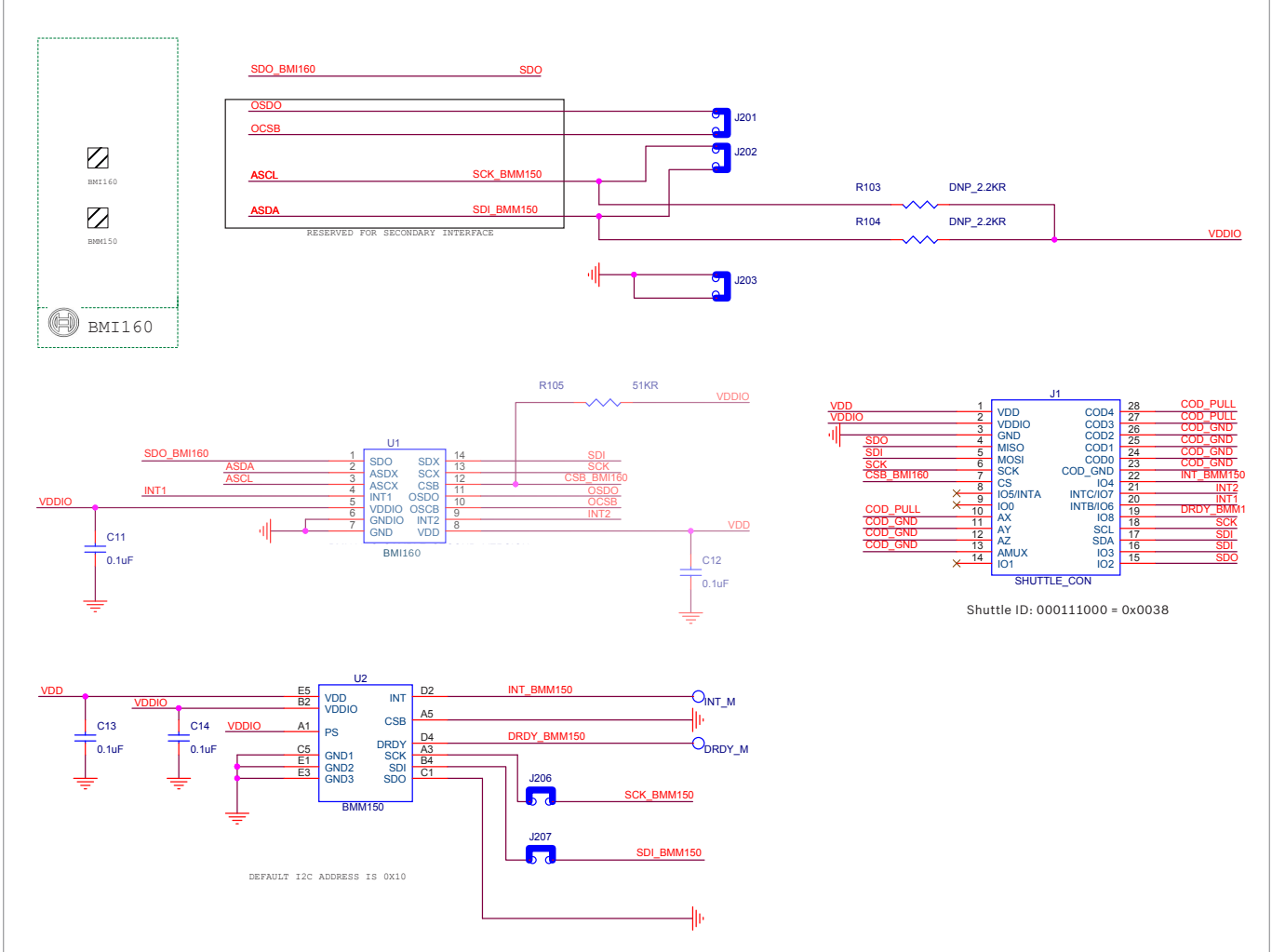
The Bosch Sensortec shuttle board BMI160 is a PCB with an Inertial Measurement Unit (IMU) BMI160 and a geomagnetic sensor BMM150 mounted on it. It allows easy access to the sensors pins via a simple socket. As all Bosch Sensortec sensor shuttle boards have identical footprint, they can be plugged into Bosch Sensortec's advanced development tools (e.g. the Development Board or Application Board). Of course, the BMI160 shuttle board can also be used for customer's own implementations.

Note: Product photo may differ from real product's appearance

Shuttle board outline dimensions (all dimensions in mm)



BMI160 shuttle board electrical layout



Deliverables

- ▶ BMI160 shuttle board

**Headquarters  
Bosch Sensortec GmbH**

Gerhard-Kindler-Strasse 9  
72770 Reutlingen · Germany  
Telephone +49 7121 3535 900  
Fax +49 7121 3535 909  
contact@bosch-sensortec.com  
[www.bosch-sensortec.com](http://www.bosch-sensortec.com)