



100 Base-T single port transformer Module

TNK INDUSTRY CO.,LTD
P/N:BT16B03



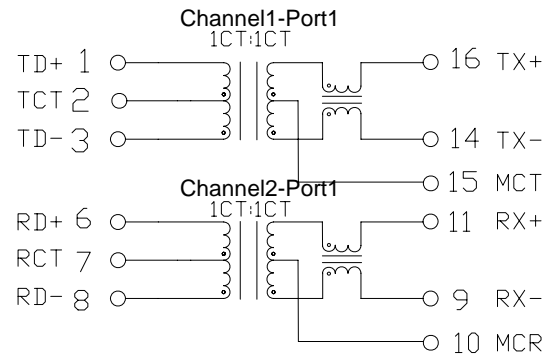
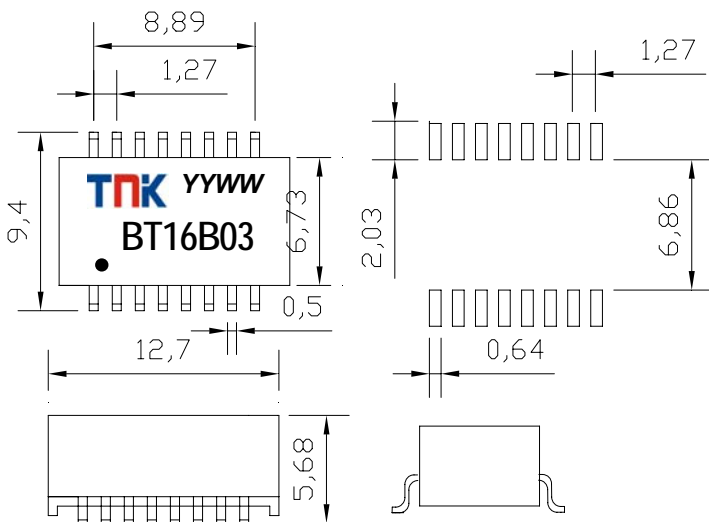
- ✚ Designed to meet IEEE802.3u requirement
- ✚ Designed to meet IR 255°C peak requirement
- ✚ Primary inductance 350uH min with 8mA DC Bias
- ✚ ROHS Compliant
- ✚ Operating temperature range:0°Cto+70°C
- ✚ Storage temperature range:-25°Cto+125°C

Electrical Specifications @ 25°C

Part Number	Turn Ratio		Insertion Loss 0.5~100MHz (dB Max)	Return Loss (dB Min)			Cross Talk (dB Min)		CMRR (dB Min)	LK (uH Max)	DCR (Ω Max)	CWW (pF Max)	Hi-Pot (Vrms MIN)
	Tx	Rx		0.5-30 MHz	30.1-60 MHz	60.1-80 MHz	0.5-40 MHz	40.1-100 MHz					
BT16B03	1:1	1:1	-1.0	-16	-14	-12	-35	-30	-30	0.5	1.2	28	1500

Mechanical

Schematics



Dimension:Inches/mm

Unless otherwise specified,tolerances:xx.x0±0.25(mm)

0.xx±0.05(mm)

Data sheet subject to change without notice

东莞市讯康实业有限公司

地址: 广东省东莞市塘厦镇林村里牙塘工业区 145 号

TEL:(86)769-87923451

FAX:(86)769-87923450

WEBSITE:http://www.tnk.net.cn